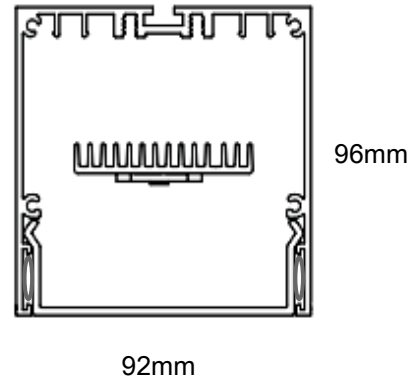


HALITE



IP65



PRIMA H214 IP

92mmWx96mmHxL

Diffuser

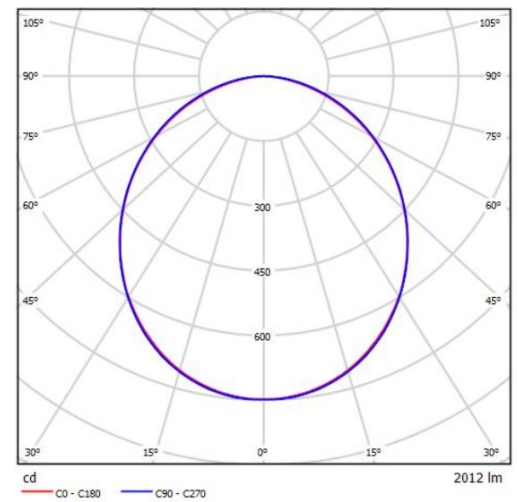
Standard/High output

LED

FEATURES

Aluminium extruded continuous tubular lighting system—LED range IP65 rated

- Standard: White or Black PC finish, Anodised Aluminium Finish with Silicone gaskets
- Scalable in 100mm segments, easy to replace modular gear trays
- High performance LED-Satin diffusers, continuous
- Suspended installation (wire or rod), Wall mounting brackets optional
- Integral Control gear 240V AC, 50-60Hz, integral surge protection
- SELV LED engine SO(Standard Output) or HO, custom, 3000K, 4000K
- L90 B10 59000hrs, L70 B10 195000hrs, 3 Step MacAdam Ellipse
- Accessories: Spitfire, LED Emergency packs (on Board)
- Luminaire length L up to 3.5m without joins, Easy Join system, Plug&Play
- Bends Lit or Unlit, 90deg, 135deg, other mitre
- 4.65kg/m
- 5 years warranty (up to 7 years)



Options

- Dimming DSI/DALI
- 2700K, 5000K, 6500K optional
- Cyanosis LED, cri>90, TW, RGB, RGBW
- Optional: custom Powder Coat

Product	Output Current (mA)	Lumen Output (Lm/m)	System Power (W/m)	System Efficacy (Lm/W)
4000K CRI 80 HO	1000	3391	32.1	106
4000K CRI 80	900	3087	29.2	106
4000K CRI 80	800	2774	25.9	107
4000K CRI 80	700	2452	22.6	108
4000K CRI 80 SO	600	2013	20.1	100
4000K CRI 80	500	1716	17	101
4000K CRI 80	400	1401	14	100
4000K CRI 80	350	1237	12.4	100

Note: The above output values are 'delivered' lumens.