

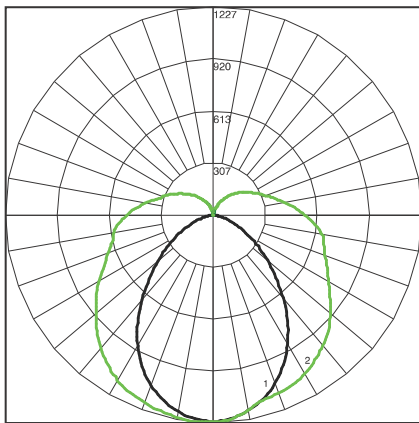
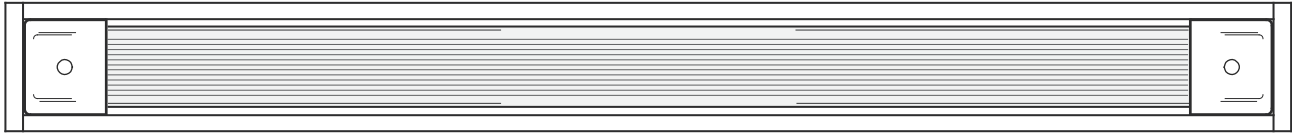
## SV0.5 | SEMI RECESSED



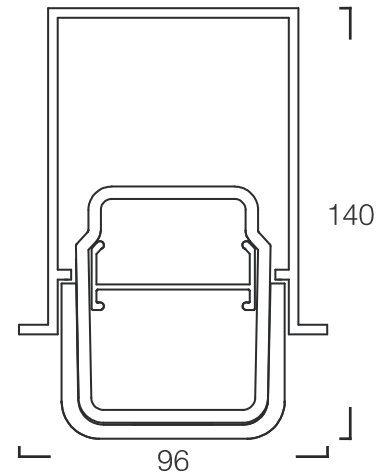
PROJECT:

REFERENCE:

DATE:



# 1 - Vertical Plane Through Horizontal Angles (0 - 180)  
# 2 - Vertical Plane Through Horizontal Angles (90 - 270)



### APPLICATIONS

Slim yet highly robust luminaire ideally suited for arduous applications where a recessed luminaire with a higher lumen output is required. Suitable applications include transportation, public access (walkway, overpass, underpass, etc.) and carparks.

### LUMINAIRE CONSTRUCTION

**IK10+** impact resistance - 4mm polycarbonate diffuser module, heavy gauge aluminium body and GRP injection moulded end caps

**IP66** ingress protection - diffuser module hermetically sealed using 3mm white silicone gaskets

**AT06** tamper resistance - stainless steel security fasteners

### MOUNTING

Recessed into wall or ceiling. Secured using dynabolt or recessing brackets. Installation possible in horizontal or vertical burning position.

### LIGHT SOURCE

Zhaga compliant Tridonic LED boards. Offering optimal light output with low power consumption.

**Colour Temperature** 3000K or 4000K

**Colour Rendering Index (CRI)** >80

**Colour Tolerance** MacAdam 3

**LED Lifetime** L70F50 >60,000 hrs

### LED DRIVER

LED power supply unit 220-240 V AC 50-60 Hz

**Driver Options** Fixed Output, DALI, DSI, DMX, switchDIM, corridorFUNCTION, ready2mains, 1-10V dim

### EMERGENCY OPTIONS (AS2293)

Standard - maintained, non-maintained or sustained

Auto/ self-test - maintained, non-maintained or sustained

DALI monitored - maintained, non-maintained or sustained

### FINISHES

**Standard finishes** textured black or pearl white polyester powdercoat. Applied using a Seven Stage Chromate pre treatment which prevents corrosion and provides a durable finish.

**Optional finishes** additional colours and finishes, including anodising, available on request.

**Extended powdercoat warranty** 10, 20 or 30 year Dulux powdercoat warranty available on request.

### LENGTHS

700, 1000, 1200, 1500 mm or continuous plug 'n' play systems

### CONNECTION

Optional pre-wired IP68 quick connect plug and socket

- 3 pins + earth

- 6 pins + earth

### CERTIFICATIONS

IK10+, IP66, LM79, LM80, TM21, RCM

### ADDITIONAL OPTIONS

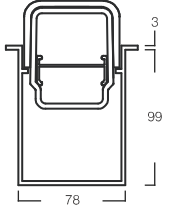
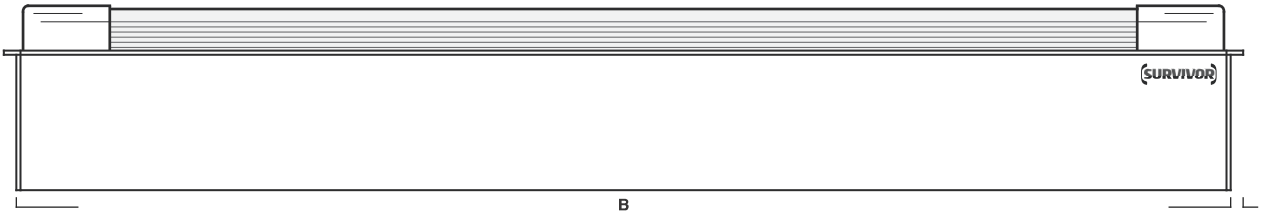
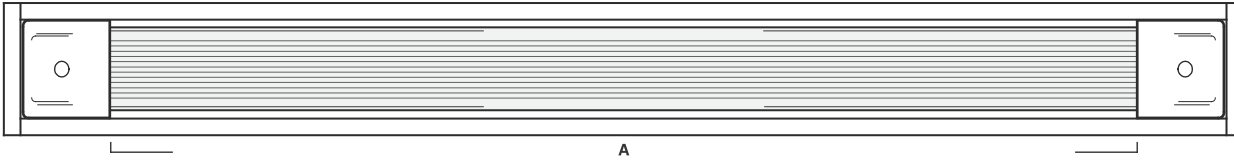
Separately switched red, green, blue or white LED night light

RGB/ RGBW - DMX or DALI controllable

Microwave sensor

Continuous, pre-wired, plug 'n' play system

## SV0.5 | SEMI RECESSED



Drive Current:	200mA		300mA		400mA		500mA		DIMENSIONS
	LUMENS	POWER (W)	LUMENS	POWER (W)	LUMENS	POWER (W)	LUMENS	POWER (W)	
SV0.5I[SR]I0700ILOLEDI84	593	4.8	866	7.3	1122	9.9	1356	12.7	A = 519 mm B = 681 mm
SV0.5I[SR]I0700IHOLEDI84	1164	9.7	1732	14.6	2244	20.0	2705	25.5	
SV0.5I[SR]I0700IUHOLEDI84	1818	14.1	2584	22.0	3351	29.9	4012	38.0	
SV0.5I[SR]I1000ILOLEDI84	884	7.1	1299	11.0	1683	14.9	2031	19.1	A = 799 mm B = 961mm
SV0.5I[SR]I1000IHOLEDI84	1757	14.5	2599	21.9	3365	29.9	4061	38.2	
SV0.5I[SR]I1000IUHOLEDI84	2726	21.3	3877	33.0	5027	44.8	6014	57.0	
SV0.5I[SR]I1200ILOLEDI84	1186	9.5	1732	14.7	2244	19.9	2712	25.5	A = 1079 mm B = 1241mm
SV0.5I[SR]I1200IHOLEDI84	2329	19.4	3465	29.2	4487	40.0	5410	51.0	
SV0.5I[SR]I1200IUHOLEDI84	3635	28.3	5169	44.1	6702	59.8	8023	76.0	
SV0.5I[SR]I1500ILOLEDI84	1477	11.9	2166	18.4	2805	24.8			A = 1359 mm B = 1521mm
SV0.5I[SR]I1500IHOLEDI84	2922	24.2	4331	36.5	5609	49.9			
SV0.5I[SR]I1500IUHOLEDI84	4544	35.4	6461	55.1	8378	74.7			

### ITEM CODE

Length	LED Output	LED Colour	Luminaire Colour	LED Driver	Drive Current	Add-ons
0700 = 700mm 1000 = 1000mm 1200 = 1200mm 1500 = 1500mm	LO LED = Low Output HO LED = High Output UHO LED = Ultra High Output	83 = 830 84 = 840	B C = Black W C = White	F = Fixed Output D = DALI Dim	200 = 200mA 300 = 300mA 400 = 400mA 500 = 500mA	plug and socket IPP4P = 3P+E IP68 Plug and Socket IPP7P = 6P+E IP68 Plug and Socket  emergency pack EM = Standard Emergency EMST = Self-Test Emergency EMD = DALI Emergency  night light NLW = Night Light White NLR = Night Light Red NLG = Night Light Green NLB = Night Light Blue  microwave sensor MWS = Microwave Sensor

### Examples:

- SV0.5 I [SR] I 0700 I HO I LED I 84 I B I B I C I F I 300
- SV0.5 I [SR] I 1200 I LO I LED I 83 I W I W I C I D I 400 I MWS
- SV0.5 I [SR] I 1500 I UHO I LED I 84 I W I W I C I D I 200 I NLB
- SV0.5 I [SR] I 1000 I LO I LED I 83 I B I B I C I F I 500 I EM I NLR

### NOTES:

- Photometric data for indicative purposes only, and not be used in place of full ies file
- Photometric data based on:
  - 4000k Tridonic LED boards and drivers
  - Tolerance range +/- 10%
- All data subject to change without notice, E&OE