

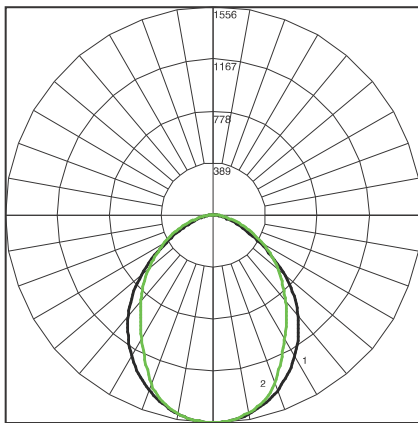
## SV1.0.ECO | RECESSED



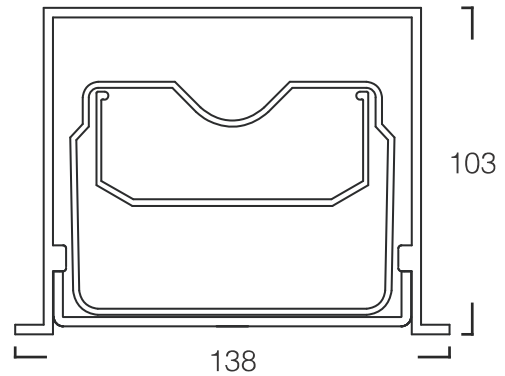
PROJECT:

REFERENCE:

DATE:



# 1 - Vertical Plane Through Horizontal Angles (0 - 180)  
# 2 - Vertical Plane Through Horizontal Angles (90 - 270)



### APPLICATIONS

Highly robust yet economical recessed luminaire. Ideally suited for arduous environments including, transportation, public access, carpark, urban applications and areas prone to vandalism.

### LUMINAIRE CONSTRUCTION

**IK10** impact resistance - 2mm polycarbonate diffuser module, extruded aluminium body and aluminium end caps

**IP66** ingress protection - diffuser module hermetically sealed using 3mm silicone gaskets

**AT06** tamper resistance - stainless steel security fasteners

### MOUNTING

Recessed into wall or ceiling. Secured using dynabolt or recessing brackets. Installation possible in horizontal or vertical burning position.

### LIGHT SOURCE

Zhaga compliant Tridonic LED boards. Offering optimal light output with low power consumption.

**Colour Temperature** 3000K or 4000K

**Colour Rendering Index (CRI)** >80

**Colour Tolerance** MacAdam 3

**LED Lifetime** L70F50 >60,000 hrs

### LED DRIVER

LED power supply unit 220-240 V AC 50-60 Hz

**Driver Options** Fixed Output, DALI, DSI, DMX, switchDIM, corridorFUNCTION, ready2mains, 1-10V dim

### EMERGENCY OPTIONS (AS2293)

Standard - maintained, non-maintained or sustained

Auto/ self-test - maintained, non-maintained or sustained

DALI monitored - maintained, non-maintained or sustained

### FINISHES

**Standard finishes** textured black or pearl white polyester powdercoat. Applied using a Seven Stage Chromate pre treatment which prevents corrosion and provides a durable finish.

**Optional finishes** additional colours and finishes, including anodising, available on request.

**Extended powdercoat warranty** 10, 20 or 30 year Dulux powdercoat warranty available on request.

### LENGTHS

700, 1000, 1200, 1500 mm or continuous plug 'n' play systems

### CONNECTION

Optional pre-wired IP68 quick connect plug and socket

- 3 pins + earth

- 6 pins + earth

### CERTIFICATIONS

IK10, IP66, LM79, LM80, TM21, RCM

### ADDITIONAL OPTIONS

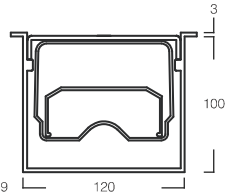
Separately switched red, green, blue or white LED night light

RGB/ RGBW - DMX or DALI controllable

Microwave sensor

Continuous, pre-wired, plug 'n' play system

## SV1.0.ECO | RECESSED



	200mA		300mA		400mA		500mA		DIMENSIONS
	LUMENS	POWER (W)	LUMENS	POWER (W)	LUMENS	POWER (W)	LUMENS	POWER (W)	
SV1.0.ECOI[R]I0700ILOLEDI84	401	4.8	586	7.3	758	9.9	917	12.7	A = 699 mm B = 681 mm
SV1.0.ECOI[R]I0700IHOILEDI84	787	9.7	1171	14.6	1517	20.0	1829	25.5	
SV1.0.ECOI[R]I0700IUHOILEDI84	1229	14.1	1747	22.0	2266	29.9	2712	38.0	
SV1.0.ECOI[R]I1000ILOLEDI84	598	7.1	878	11.0	1138	14.9	1373	19.1	A = 979mm B = 961 mm
SV1.0.ECOI[R]I1000IHOILEDI84	1188	14.5	1757	21.9	2275	29.9	2746	38.2	
SV1.0.ECOI[R]I1000IUHOILEDI84	1843	21.3	2621	33.0	3398	44.8	4066	57.0	
SV1.0.ECOI[R]I1200ILOLEDI84	802	9.5	1171	14.7	1517	19.9	1834	25.5	A = 1259 mm B = 1241 mm
SV1.0.ECOI[R]I1200IHOILEDI84	1574	19.4	2342	29.2	3034	40.0	3658	51.0	
SV1.0.ECOI[R]I1200IUHOILEDI84	2458	28.3	3494	44.1	4531	59.8	5424	76.0	
SV1.0.ECOI[R]I1500ILOLEDI84	998	11.9	1464	18.4	1896	24.8	2290	31.9	A = 1539 mm B = 1521 mm
SV1.0.ECOI[R]I1500IHOILEDI84	1975	24.2	2928	36.5	3792	49.9	4574	63.7	
SV1.0.ECOI[R]I1500IUHOILEDI84	3072	35.4	4368	55.1	5664	74.7	6778	95.0	

### ITEM CODE

Length	LED Output	LED Colour	Luminaire Colour	LED Driver	Drive Current	Add-Ons
0700 = 700mm 1000 = 1000mm 1200 = 1200mm 1500 = 1500mm	LO LED = Low Output HO LED = High Output UHO LED = Ultra High Output	83 = 830 84 = 840	B B C = Black W W C = White	F = Fixed Output D = DALI Dim	200 = 200mA 300 = 300mA 400 = 400mA 500 = 500mA	plug and socket IPP4P = 3P+E IP68 Plug and Socket IPP7P = 6P+E IP68 Plug and Socket  emergency pack EM = Standard Emergency EMST = Self-Test Emergency EMD = DALI Emergency  night light NLW = Night Light White NLR = Night Light Red NLG = Night Light Green NLB = Night Light Blue  microwave sensor MWS = Microwave Sensor

### Examples:

- SV1.0.ECOI[R]I0700IHOILEDI84IB|B|C|FI300
- SV1.0.ECOI[R]I1200ILOILEDI83IW|W|C|DI400MWS
- SV1.0.ECOI[R]I1500IUHOILEDI84IW|W|C|DI200NLB
- SV1.0.ECOI[R]I1000ILOILEDI83IB|B|C|FI500EM|NLR

### NOTES:

- Photometric data for indicative purposes only, and not be used in place of full ies file
- Photometric data based on:
  - 4000k Tridonic LED boards and drivers
  - Tolerance range +/- 10%
- All data subject to change without notice, E&OE

Distributor: Dome Lighting Systems

t: 02/9659 3571, e: sales@dslighting.com.au

May 2018

