

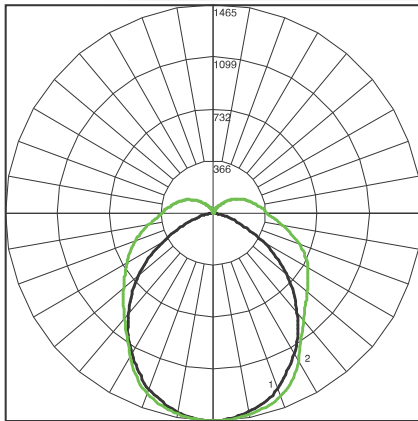
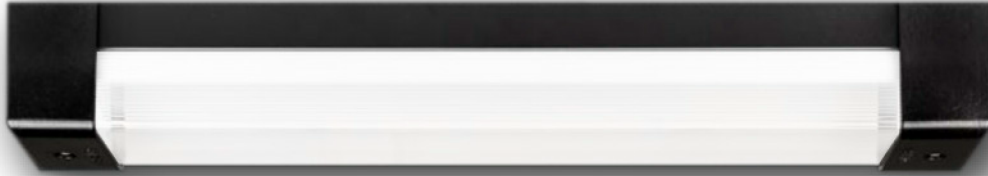
SV1.0.ECO | SURFACE



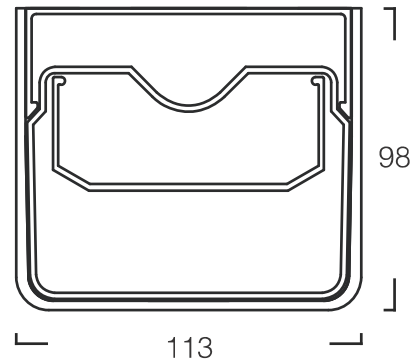
PROJECT:

REFERENCE:

DATE:



Maximum Candela = 1464.79 Located At Horizontal Angle = 300, Vertical Angle = 1
1 - Vertical Plane Through Horizontal Angles (0 - 180)
2 - Vertical Plane Through Horizontal Angles (90 - 270)



APPLICATIONS

Highly robust and economical surface mounted luminaire. Ideally suited for arduous environments including, transportation, public access, carpark, urban applications and areas prone to vandalism.

LUMINAIRE CONSTRUCTION

IK10 impact resistance - 2mm polycarbonate diffuser module, extruded aluminium body and GRP injection moulded end caps

IP66 ingress protection - diffuser module hermetically sealed using 3mm silicone gaskets

AT06 tamper resistance - stainless steel security fasteners

MOUNTING

Surface mounted on wall or ceiling. Installation possible in horizontal or vertical burning position.

LIGHT SOURCE

Zhaga compliant Tridonic LED boards. Offering optimal light output with low power consumption.

Colour Temperature 3000K or 4000K

Colour Rendering Index (CRI) >80

Colour Tolerance MacAdam 3

LED Lifetime L70F50 >60,000 hrs

LED DRIVER

LED power supply unit 220-240 V AC 50-60 Hz

Driver Options Fixed Output, DALI, DSI, DMX, switchDIM, corridorFUNCTION, ready2mains, 1-10V dim

EMERGENCY OPTIONS (AS2293)

Standard - maintained, non-maintained or sustained

Auto/ self-test - maintained, non-maintained or sustained

DALI monitored - maintained, non-maintained or sustained

FINISHES

Standard finishes textured black or pearl white polyester powdercoat. Applied using a Seven Stage Chromate pre treatment which prevents corrosion and provides a durable finish.

Optional finishes additional colours and finishes, including anodising, available on request.

Extended powdercoat warranty 10, 20 or 30 year Dulux powdercoat warranty available on request.

LENGTHS

700, 1000, 1200, 1500 mm or continuous plug 'n' play systems

CONNECTION

Optional pre-wired IP68 quick connect plug and socket

- 3 pins + earth

- 6 pins + earth

CERTIFICATIONS

IK10, IP66, LM79, LM80, TM21, RCM

ADDITIONAL OPTIONS

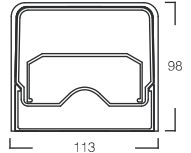
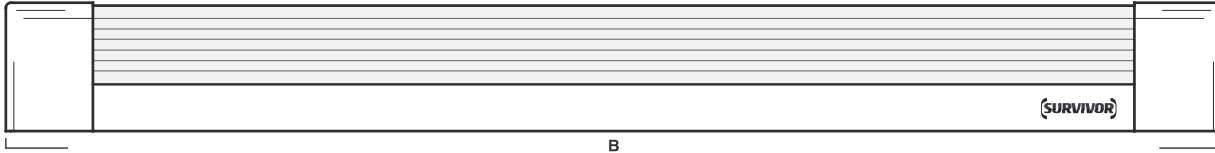
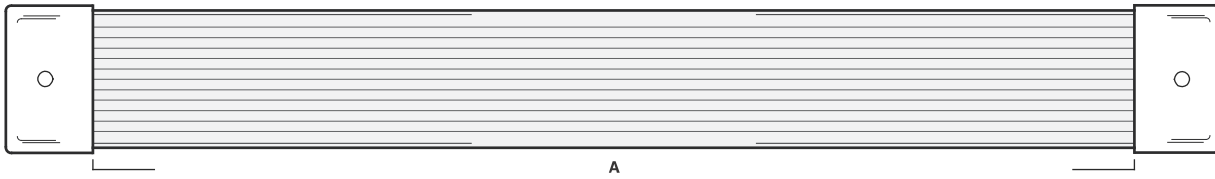
Separately switched red, green, blue or white LED night light

RGB/ RGBW - DMX or DALI controllable

Microwave sensor

Continuous, pre-wired, plug 'n' play system

SV1.0.ECO | SURFACE



	Drive Current: 200mA		300mA		400mA		500mA		DIMENSIONS
	LUMENS	POWER (W)	LUMENS	POWER (W)	LUMENS	POWER (W)	LUMENS	POWER (W)	
SV1.0.ECO S I0700 LO LED 84	559	4.8	817	7.3	1059	9.9	1280	12.7	A = 566 mm B = 681 mm
SV1.0.ECO S I0700 HO LED 84	1099	9.7	1635	14.6	2117	20.0	2553	25.5	
SV1.0.ECO S I0700 UHO LED 84	1715	14.1	2439	22.0	3162	29.9	3786	38.0	
SV1.0.ECO S I1000 LO LED 84	834	7.1	1226	11.0	1588	14.9	1916	19.1	A = 846 mm B = 961 mm
SV1.0.ECO S I1000 HO LED 84	1658	14.5	2452	21.9	3176	29.9	3832	38.2	
SV1.0.ECO S I1000 UHO LED 84	2573	21.3	3658	33.0	4744	44.8	5675	57.0	
SV1.0.ECO S I1200 LO LED 84	1119	9.5	1635	14.7	2117	19.9	2559	25.5	A = 1126 mm B = 1241 mm
SV1.0.ECO S I1200 HO LED 84	2198	19.4	3270	29.2	4234	40.0	5105	51.0	
SV1.0.ECO S I1200 UHO LED 84	3430	28.3	4878	44.1	6325	59.8	7571	76.0	
SV1.0.ECO S I1500 LO LED 84	1394	11.9	2044	18.4	2647	24.8	3196	31.9	A = 1406 mm B = 1521 mm
SV1.0.ECO S I1500 HO LED 84	2757	24.2	4087	36.5	5293	49.9	6385	63.7	
SV1.0.ECO S I1500 UHO LED 84	4288	35.4	6097	55.1	7906	74.7	9460	95.0	

ITEM CODE

SV1.0.ECO S	Length	LED Output	LED Colour	Luminaire Colour	LED Driver	Drive Current	Add-Ons
	0700 = 700mm 1000 = 1000mm 1200 = 1200mm 1500 = 1500mm	LO LED = Low Output HO LED = High Output UHO LED = Ultra High Output	83 = 830 84 = 840	B B C = Black W W C = White	F = Fixed Output D = DALI Dim	200 = 200mA 300 = 300mA 400 = 400mA 500 = 500mA	plug and socket IPP4P = 3P+E IP68 Plug and Socket IPP7P = 6P+E IP68 Plug and Socket emergency pack EM = Standard Emergency EMST = Self-Test Emergency EMD = DALI Emergency night light NLW = Night Light White NLR = Night Light Red NLG = Night Light Green NLB = Night Light Blue microwave sensor MWS = Microwave Sensor

Examples:

- SV1.0.ECO | S | I 0700 | HO | LED | 84 | B | B | C | F | 300
- SV1.0.ECO | S | I 1200 | LO | LED | 83 | W | W | C | D | 400 | MWS
- SV1.0.ECO | S | I 1500 | UHO | LED | 84 | W | W | C | D | 200 | NLB
- SV1.0.ECO | S | I 1000 | LO | LED | 83 | B | B | C | F | 500 | EM | NLR

NOTES:

- Photometric data for indicative purposes only, and not be used in place of full ies file
- Photometric data based on:
 - 4000k Tridonic LED boards and drivers
 - Tolerance range +/- 10%
- Data subject to change without notice, E&OE