

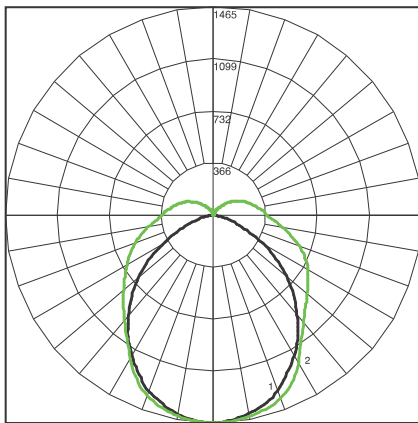
## SV1.0.ECO | SEMI RECESSED



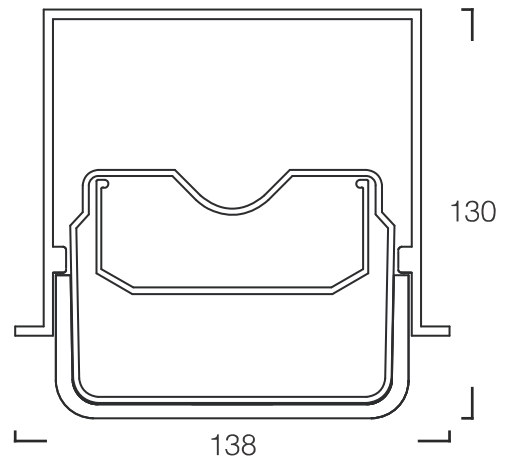
PROJECT:

REFERENCE:

DATE:



Maximum Candela = 1464.79 Located At Horizontal Angle = 300, Vertical Angle = 1  
# 1 - Vertical Plane Through Horizontal Angles (0 - 180)  
# 2 - Vertical Plane Through Horizontal Angles (90 - 270)



### APPLICATIONS

Highly robust yet economical semi recessed luminaire ideally suited for applications where a recessed luminaire with a higher lumen output is required. Suitable applications include transportation, public access, carpark, urban applications and areas prone to vandalism.

### LUMINAIRE CONSTRUCTION

**IK10** impact resistance - 2mm polycarbonate diffuser module, extruded aluminium body and GRP end caps

**IP66** ingress protection - diffuser module hermetically sealed using 3mm silicone gaskets

**AT06** tamper resistance - stainless steel security fasteners

### MOUNTING

Recessed into wall or ceiling. Secured using dynabolt or recessing brackets. Installation possible in horizontal or vertical burning position.

### LIGHT SOURCE

Zhaga compliant Tridonic LED boards. Offering optimal light output with low power consumption.

**Colour Temperature** 3000K or 4000K

**Colour Rendering Index (CRI)** >80

**Colour Tolerance** MacAdam 3

**LED Lifetime** L70F50 >60,000 hrs

### LED DRIVER

LED power supply unit 220-240 V AC 50-60 Hz

**Driver Options** Fixed Output, DALI, DSI, DMX, switchDIM, corridorFUNCTION, ready2mains, 1-10V dim

### EMERGENCY OPTIONS (AS2293)

Standard - maintained, non-maintained or sustained

Auto/ self-test - maintained, non-maintained or sustained

DALI monitored - maintained, non-maintained or sustained

### FINISHES

**Standard finishes** textured black or pearl white polyester powdercoat. Applied using a Seven Stage Chromate pre treatment which prevents corrosion and provides a durable finish.

**Optional finishes** additional colours and finishes, including anodising, available on request.

**Extended powdercoat warranty** 10, 20 or 30 year Dulux powdercoat warranty available on request.

### LENGTHS

700, 1000, 1200, 1500 mm or continuous plug 'n' play systems

### CONNECTION

Optional pre-wired IP68 quick connect plug and socket

- 3 pins + earth

- 6 pins + earth

### CERTIFICATIONS

IK10, IP66, LM79, LM80, TM21, RCM

### ADDITIONAL OPTIONS

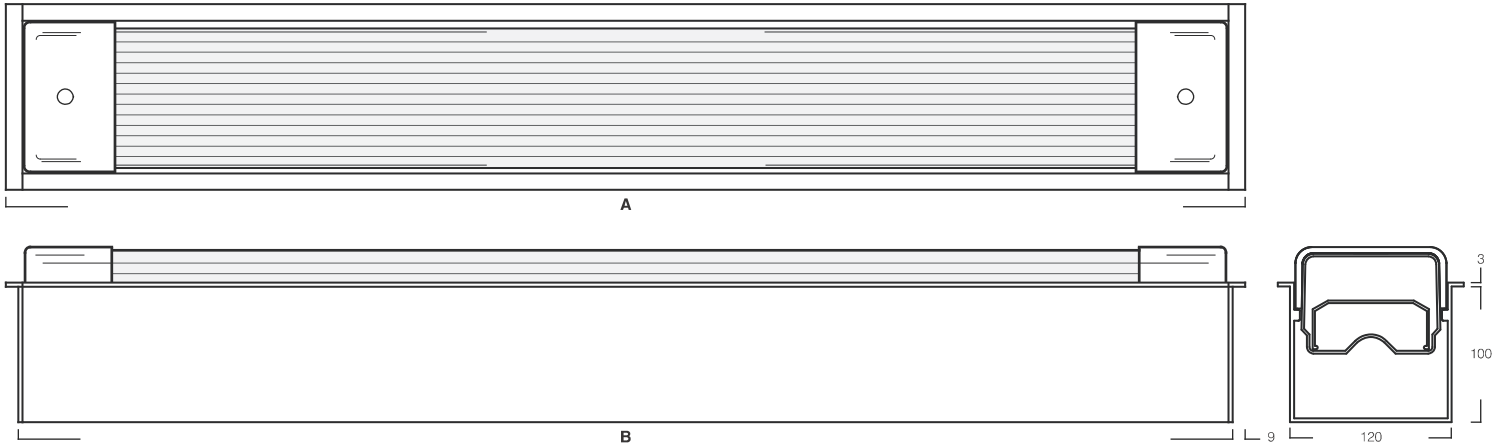
Separately switched red, green, blue or white LED night light

RGB/ RGBW - DMX or DALI controllable

Microwave sensor

Continuous, pre-wired, plug 'n' play system

## SV1.0.ECO | SEMI RECESSED



	200mA		300mA		400mA		500mA		DIMENSIONS
	LUMENS	POWER (W)	LUMENS	POWER (W)	LUMENS	POWER (W)	LUMENS	POWER (W)	
SV1.0.ECOI[SR]I0700ILOLEDI84	559	4.8	817	7.3	1059	9.9	1280	12.7	A = 699 mm B = 681 mm
SV1.0.ECOI[SR]I0700IHOLEDI84	1099	9.7	1635	14.6	2117	20.0	2553	25.5	
SV1.0.ECOI[SR]I0700IUHOLEDI84	1715	14.1	2439	22.0	3162	29.9	3786	38.0	
SV1.0.ECOI[SR]I1000ILOLEDI84	834	7.1	1226	11.0	1588	14.9	1916	19.1	A = 979 mm B = 961 mm
SV1.0.ECOI[SR]I1000IHOLEDI84	1658	14.5	2452	21.9	3176	29.9	3832	38.2	
SV1.0.ECOI[SR]I1000IUHOLEDI84	2573	21.3	3658	33.0	4744	44.8	5675	57.0	
SV1.0.ECOI[SR]I1200ILOLEDI84	1119	9.5	1635	14.7	2117	19.9	2559	25.5	A = 1259 mm B = 1241 mm
SV1.0.ECOI[SR]I1200IHOLEDI84	2198	19.4	3270	29.2	4234	40.0	5105	51.0	
SV1.0.ECOI[SR]I1200IUHOLEDI84	3430	28.3	4878	44.1	6325	59.8	7571	76.0	
SV1.0.ECOI[SR]I1500ILOLEDI84	1394	11.9	2044	18.4	2647	24.8	3196	31.9	A = 1539 mm B = 1521 mm
SV1.0.ECOI[SR]I1500IHOLEDI84	2757	24.2	4087	36.5	5293	49.9	6385	63.7	
SV1.0.ECOI[SR]I1500IUHOLEDI84	4288	35.4	6097	55.1	7906	74.7	9460	95.0	

### ITEM CODE

Length	LED Output	LED Colour	Luminaire Colour	LED Driver	Drive Current	Add-Ons
0700 = 700mm 1000 = 1000mm 1200 = 1200mm 1500 = 1500mm	LO LED = Low Output HO LED = High Output UHO LED = Ultra High Output	83 = 830 84 = 840	B B C = Black W W C = White	F = Fixed Output D = DALI Dim	200 = 200mA 300 = 300mA 400 = 400mA 500 = 500mA	plug and socket IPP4P = 3P+E IP68 Plug and Socket IPP7P = 6P+E IP68 Plug and Socket  emergency pack EM = Standard Emergency EMST = Self-Test Emergency EMD = DALI Emergency  night light NLW = Night Light White NLR = Night Light Red NLG = Night Light Green NLB = Night Light Blue  microwave sensor MWS = Microwave Sensor

### Examples:

SV1.0.ECOI[SR]I0700IHOILEDI84|B|B|C|F|300  
 SV1.0.ECOI[SR]I1200ILOILEDI83|W|W|C|D|400|MWS  
 SV1.0.ECOI[SR]I1500IUHOILEDI84|W|W|C|D|200|NLB  
 SV1.0.ECOI[SR]I1000ILOILEDI83|B|B|C|F|500|EM|NLR

### NOTES:

- Photometric data for indicative purposes only, and not be used in place of full ies file
- Photometric data based on:
  - 4000k Tridonic LED boards and drivers
  - Tolerance range +/- 10%
- All data subject to change without notice, E&OE