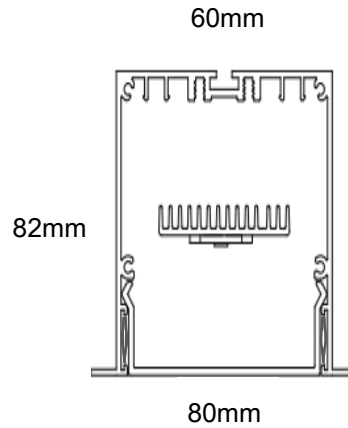


HALITE LEDSTAR



IP65



VECTRA R216 REC IP 80mmWx82mmHxL Diffuser Standard/High output LED

FEATURES

Aluminium extruded Recessed tubular lighting system—LED range IP65

- Standard: White or Black PC finish, Anodised Aluminium Finish
- Scalable in 100mm segments, easy to replace modular gear trays
- High performance LED-Satin diffusers, continuous
- Recessed installation, recessing clips or direct screw trough back
- Integral Control gear 240V AC, 50-60Hz, PF>0.95, integral surge protection
- Earth Leakage current <0.25mA/driver gear tray
- SELV LED engine SO(Standard Output) or HO, custom, 3000K, 4000K, cri>80
- L90 B10 59000hrs, L70 B10 195000hrs, 3 Step MacAdam Ellipse
- Accessories: Spitfire, LED Emergency packs (on Board)
- Luminaire length L up to 3.5m without joins, Easy Join system, Plug&Play
- Bends Lit or Unlit, 90deg, 135deg, other mitre
- 3.75kg/m
- Standard Warranty up to 7 years

Options

- Dimming DSI/DALI
- 2700K, 5000K, 6500K optional
- Cyanosis LED, cri>90, TW, RGB, RGBW
- Optional: custom Powder Coat

Product	Output Current (mA)	Lumen Output (Lm/m)	System Power (W/m)	System Efficacy (Lm/W)
4000K CRI 80 HO	1000	3215	32.1	100
4000K CRI 80	900	2927	29.2	100
4000K CRI 80	800	2630	25.9	102
4000K CRI 80	700	2325	22.6	103
4000K CRI 80 SO	600	1908	20.4	94
4000K CRI 80	500	1627	17	96
4000K CRI 80	400	1329	14	95
4000K CRI 80	350	1172	12.4	95