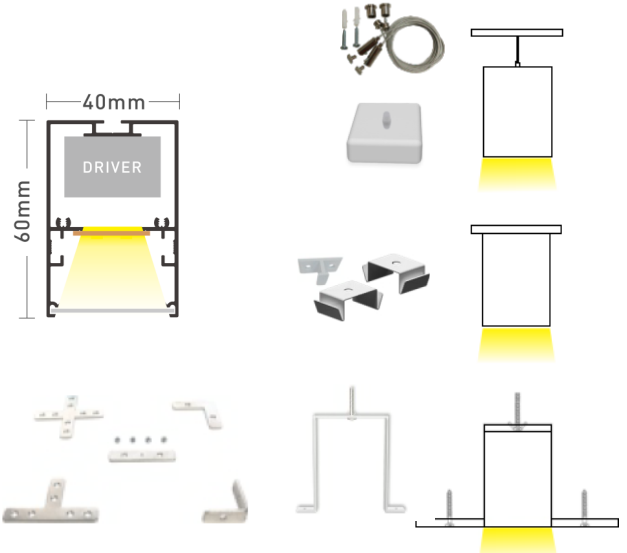


**LINEARLED Series**



**Dimensions**

**LINEARLED LP4060 S**

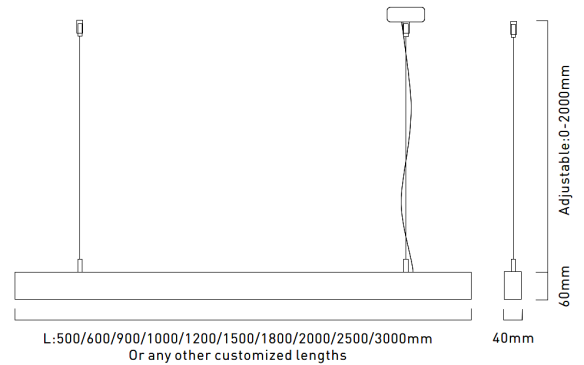
3000K/4000K/6000K

(XXX) x W40mm x H60mm

**FEATURES**

Mid power Suspended aluminium (6063-T5)LED profile allowing for wide range of output

- PC cover with smooth lighting, high transmittance, typical efficacy of the luminaire 90-100lm/W
- SS wire suspensions, aluminium end caps
- High density LED (2835) on rigid PCB, SELV, cri 80+, optional cri 90+, SDCM<5 (standard), optional SDCM<3
- White, Black P/C finish—standard (other options Silver, Gold available)
- Integral gear tray with non-flicker Driver 220-240V, 50/60Hz, PF>0.92
- Complex shapes with mitre joins available
- Warranty offered is 5 years



**Standard Models**

Model Number	Dimension	Power	Luminous Flux
LP4060-500	L500xW40xH60mm	5W	500lm
LP4060-600	L600xW40xH60mm	6W	600lm
LP4060-900	L900xW40xH60mm	9W	900lm
LP4060-1000	L1000xW40xH60mm	10W	1000lm
LP4060-1200	L1200xW40xH60mm	12W	1200lm
LP4060-1500	L1500xW40xH60mm	15W	1500lm
LP4060-1800	L1800xW40xH60mm	18W	1800lm
LP4060-2000	L2000xW40xH60mm	20W	2000lm
LP4060-2400	L2400xW40xH60mm	24W	2400lm
LP4060-2500	L2500xW40xH60mm	25W	2500lm
LP4060-3000	L3000xW40xH60mm	30W	3000lm

**OPTIONS**

- LED strip light source output
- Custom lengths and module sets
- dimming (DALI, 0-10V, TRIAC, PushDim)
- other colour finishes (MOQ applies)