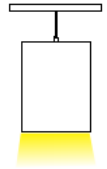
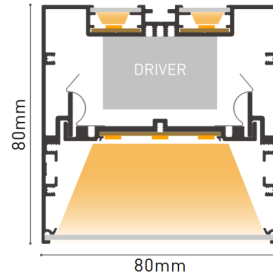
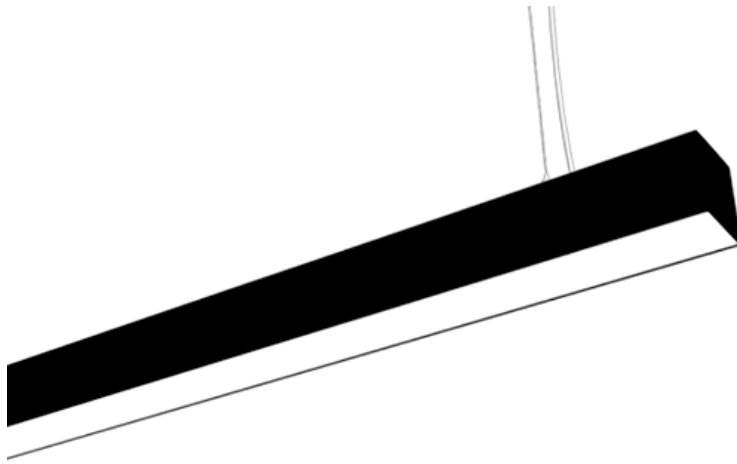


**LINEARLED Series**



**Dimensions**

**LINEARLED LP8080S DI**

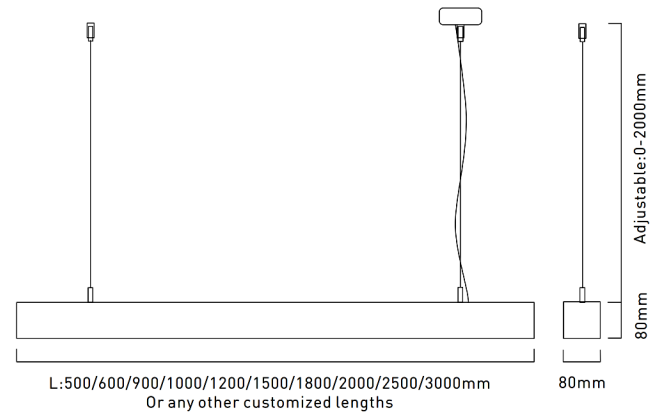
3000K/4000K/other

(XXX) x W80mm x 80mm

**FEATURES**

High power Suspended aluminium (6063-T5)LED profile allowing for wide range of output **DIRECT/INDIRECT** distribution:

- PC cover with smooth lighting, high transmittance, typical efficacy of the luminaire 90-100lm/W
- SS wire suspensions, aluminium end caps
- High density LED on rigid PCB, SELV, cri 80+, optional cri 90+,
- High efficiency diffuser, 105deg distribution
- White, Black, Silver P/C finish—standard (other options (wooden grain) available)
- Integral gear tray with non-flicker Driver 220-240V, 50/60Hz, PF>0.9 (TO SPECIFICATION)
- Complex shapes with mitre joins available
- Options: DALI, 0-10V dimming, Triac, Push dimming
- Ceiling Box: Power connector



**OPTIONS**

- LED strip light source output
- Custom lengths and module sets
- dimming (DALI, 0-10V)

**Standard Models**

Model Number	Dimension	Power	Luminous Flux
LP8080-500	L500xW80xH80mm	20W	2000lm
LP8080-600	L600xW80xH80mm	24W	2400lm
LP8080-900	L900xW80xH80mm	36W	3600lm
LP8080-1000	L1000xW80xH80mm	40W	4000lm
LP8080-1200	L1200xW80xH80mm	48W	4800lm
LP8080-1500	L1500xW80xH80mm	60W	6000lm
LP8080-1800	L1800xW80xH80mm	72W	7200lm
LP8080-2000	L2000xW80xH80mm	80W	8000lm
LP8080-2400	L2400xW80xH80mm	96W	9600lm
LP8080-2500	L2500xW80xH80mm	100W	10000lm
LP8080-3000	L3000xW80xH80mm	120W	12000lm