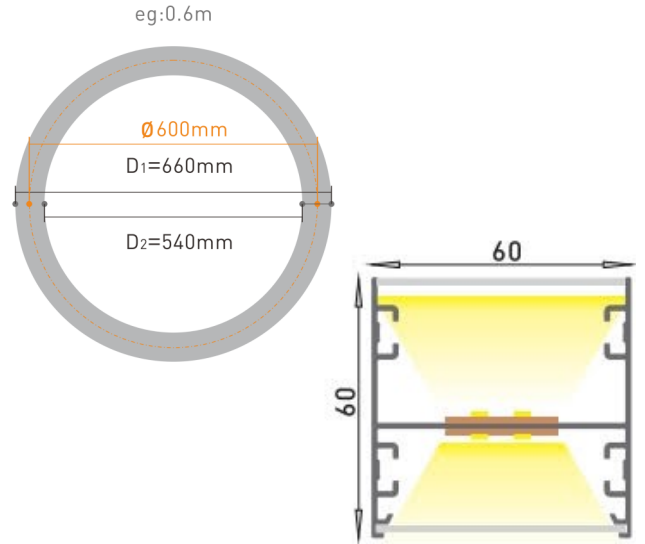


**LINEARLED Circular Series**



**Chromatic Temp. options**

**Dimensions**

**LINEARLED LU6060 DI**

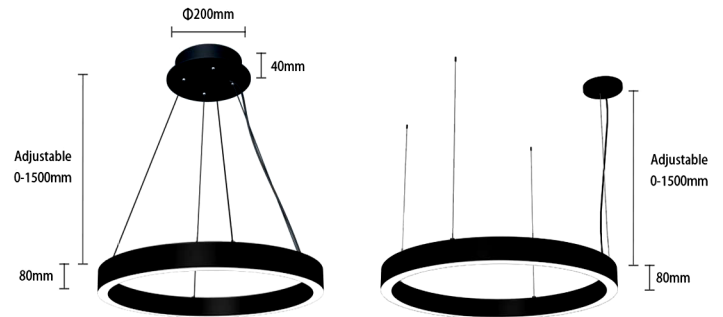
3000K, 4000K, other

60mmx60mm/DIAmm

**FEATURES**

Medium power Suspended aluminium (6063-T5)LED profile allowing for wide range of output, **DOWN/UP** distribution

- **PC cover with smooth lighting, high transmittance, typical efficacy of the luminaire 90-100lm/W**
- SS wire suspensions, straight or via Ceiling canopy (optional)
- High density LED (2835) on rigid PCB, SELV, cri 80+, optional cri 90+, SDCM<5 (standard), optional SDCM<3
- White, Black P/C finish—standard (other options Silver, Gold available)
- Integral gear tray with non-flicker Driver 220-240V, 50/60Hz, PF>0.92
- Options: DALI, 0-10V dimming, Triac, Push dimming
- Ceiling Box: Power connector or Gear housing options
- Warranty offered is 5 years



**Power options suggestions:**

Model Number	Dimension (mm)	Color Tempertarue (Kelvin)	Input Voltage (DCV)	PF	Beam Angle	Power		Luminous Fluxc	
						Down(W)	Up(W)	Down(lm)	Up(lm)
LC6060-U-0.45M	φ450*W60*H60	3000K	220-240V 50/60Hz	>0.9	105°	20W	6W	1800lm	480lm
		4000K						2000lm	540lm
		6000K						1900lm	510lm
LC6060-U-0.6M	φ660*W60*H60	3000K	220-240V 50/60Hz	>0.9	105°	30W	9W	2700lm	720lm
		4000K						3000lm	810lm
		6000K						2850lm	765lm
LC6080-U-0.6M	φ660*W60*H80	3000K	220-240V 50/60Hz	>0.9	105°	40W	12W	3600lm	960lm
		4000K						4000lm	1080lm
		6000K						3800lm	1020lm
LC6060-U-1.0M	φ1060*W60*H60	3000K	220-240V 50/60Hz	>0.9	105°	50W	15W	4500lm	1200lm
		4000K						5000lm	1350lm
		6000K						4750lm	1275lm
LC6080-U-1.0M	φ1060*W60*H80	3000K	220-240V 50/60Hz	>0.9	105°	60W	18W	5400lm	1440lm
		4000K						6000lm	1620lm
		6000K						5700lm	1530lm