

NEW

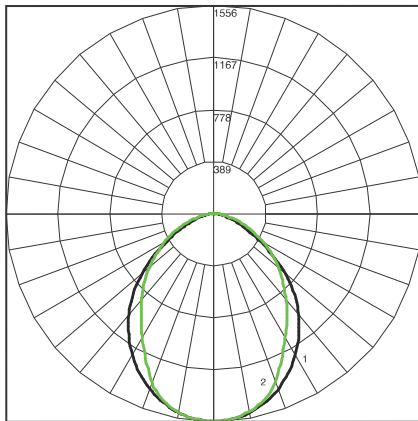
SV0.5 | BOX



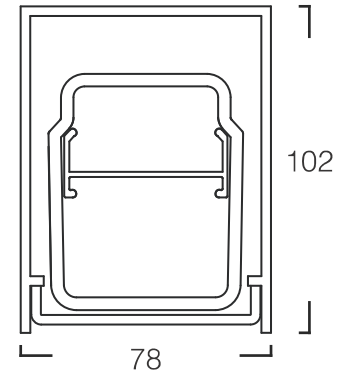
PROJECT:

REFERENCE:

DATE:



1 - Vertical Plane Through Horizontal Angles (0 - 180)
2 - Vertical Plane Through Horizontal Angles (90 - 270)



APPLICATIONS

Slim yet highly robust surface mounted luminaire ideally suited for transportation, public access (walkway, overpass, underpass, etc.), carpark and urban applications.

LUMINAIRE CONSTRUCTION

IK10+ impact resistance - 4mm polycarbonate diffuser module, heavy gauge aluminium body and end caps

IP66 ingress protection - diffuser module hermetically sealed using 3mm white silicone gaskets

AT06 tamper resistance - stainless steel security fasteners

MOUNTING

Surface mounted on wall or ceiling. Installation possible in horizontal or vertical burning position.

LIGHT SOURCE

Zhaga compliant Tridonic LED boards. Offering optimal light output with low power consumption.

Colour Temperature 3000K or 4000K

Colour Rendering Index (CRI) >80

Colour Tolerance MacAdam 3

LED Lifetime L70F50 >60,000 hrs

LED DRIVER

LED power supply unit 220-240 V AC 50-60 Hz

Driver Options Fixed Output, DALI, DSI, DMX, switchDIM, corridorFUNCTION, ready2mains, 1-10V dim

EMERGENCY OPTIONS (AS2293)

Standard - maintained, non-maintained or sustained

Auto/ self-test - maintained, non-maintained or sustained

DALI monitored - maintained, non-maintained or sustained

FINISHES

Standard finishes textured black or pearl white polyester powdercoat. Applied using a Seven Stage Chromate pre treatment which prevents corrosion and provides a durable finish.

Optional finishes additional colours and finishes, including anodising, available on request.

Extended powdercoat warranty 10, 20 or 30 year Dulux powdercoat warranty available on request.

LENGTHS

700, 1000, 1200, 1500 mm or continuous plug 'n' play systems

CONNECTION

Optional pre-wired IP68 quick connect plug and socket

- 3 pins + earth

- 6 pins + earth

CERTIFICATIONS

IK10+, IP66, LM79, LM80, TM21, RCM

ADDITIONAL OPTIONS

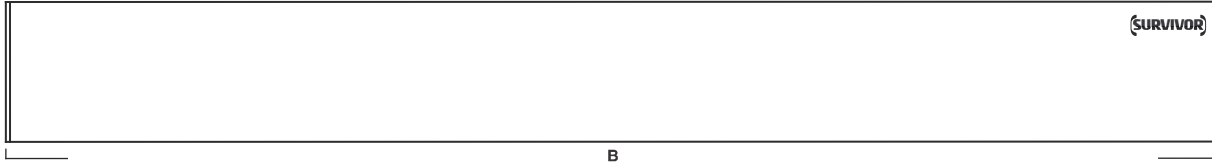
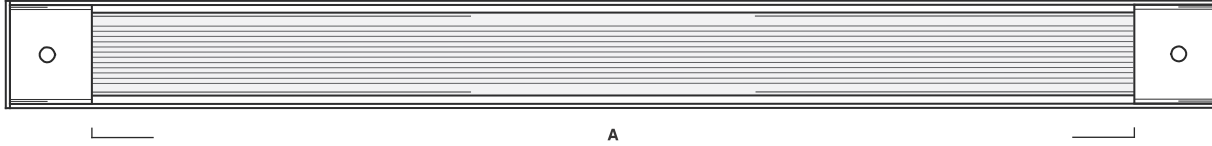
Separately switched red, green, blue or white LED night light

RGB/ RGBW - DMX or DALI controllable

Microwave sensor

Continuous, pre-wired, plug 'n' play system

NEW
SV0.5 | BOX



	Drive Current: 200mA		300mA		400mA		500mA		DIMENSIONS
	LUMENS	POWER (W)	LUMENS	POWER (W)	LUMENS	POWER (W)	LUMENS	POWER (W)	
SV0.5[B]0700ILOLEDI84	317	4.8	464	7.3	600	9.9	726	12.7	A = 519 mm B = 681 mm
SV0.5[B]0700HOLEDI84	623	9.7	927	14.6	1201	20.0	1448	25.5	
SV0.5[B]0700UHOLEDI84	973	14.1	1383	22.0	1794	29.9	2147	38.0	
SV0.5[B]1000ILOLEDI84	473	7.1	695	11.0	901	14.9	1087	19.1	A = 799 mm B = 961mm
SV0.5[B]1000HOLEDI84	941	14.5	1391	21.9	1801	29.9	2174	38.2	
SV0.5[B]1000UHOLEDI84	1459	21.3	2075	33.0	2690	44.8	3219	57.0	
SV0.5[B]1200ILOLEDI84	635	9.5	927	14.7	1201	19.9	1452	25.5	A = 1079 mm B = 1241mm
SV0.5[B]1200HOLEDI84	1246	19.4	1854	29.2	2402	40.0	2896	51.0	
SV0.5[B]1200UHOLEDI84	1946	28.3	2766	44.1	3587	59.8	4294	76.0	
SV0.5[B]1500ILOLEDI84	790	11.9	1159	18.4	1501	24.8	1813	31.9	A = 1359 mm B = 1521mm
SV0.5[B]1500HOLEDI84	1564	24.2	2318	36.5	3002	49.9	3621	63.7	
SV0.5[B]1500UHOLEDI84	2432	35.4	3458	55.1	4484	74.7	5366	95.0	

ITEM CODE

SV0.5[B]	Length	LED Output	LED Colour	Luminaire Colour	LED Driver	Drive Current	Add-ons
	0700 = 700mm 1000 = 1000mm 1200 = 1200mm 1500 = 1500mm	LO LED = Low Output HO LED = High Output UHO LED = Ultra High Output	83 = 830 84 = 840	B B C = Black W W C = White	F = Fixed Output D = DALI Dim	200 = 200mA 300 = 300mA 400 = 400mA 500 = 500mA	plug and socket IPP4P = 3P+E IP68 Plug and Socket IPP7P = 6P+E IP68 Plug and Socket emergency pack EM = Standard Emergency EMST = Self-Test Emergency EMD = DALI Emergency night light NLW = Night Light White NLR = Night Light Red NLG = Night Light Green NLB = Night Light Blue microwave sensor MWS = Microwave Sensor

Examples:

- SV0.5 | [B] | 0700 | HO | LED | 84 | B | B | C | F | 300
- SV0.5 | [B] | 1200 | LO | LED | 83 | W | W | C | D | 400 | MWS
- SV0.5 | [B] | 1500 | UHO | LED | 84 | W | W | C | D | 200 | NLB
- SV0.5 | [B] | 1000 | LO | LED | 83 | B | B | C | F | 500 | EM | NLR

NOTES:

- Photometric data for indicative purposes only, and not be used in place of full ies file
 - Photometric data based on:
 - 4000k Tridonic LED boards and drivers
 - Tolerance range +/- 10%
 - All data subject to change without notice. F&OF

